



FEATURES & BENEFITS

- Stainless Steel Constructed
- Heavy Duty Caster for Mobility
- Designed with Panslides for Storage

DIMENSIONS & SHIPPING WEIGHT

43 1/2"W X 41 1/4"D X 33"H
(1105 mm X 1048 mm X 839 mm)
225 lb (103 kg)

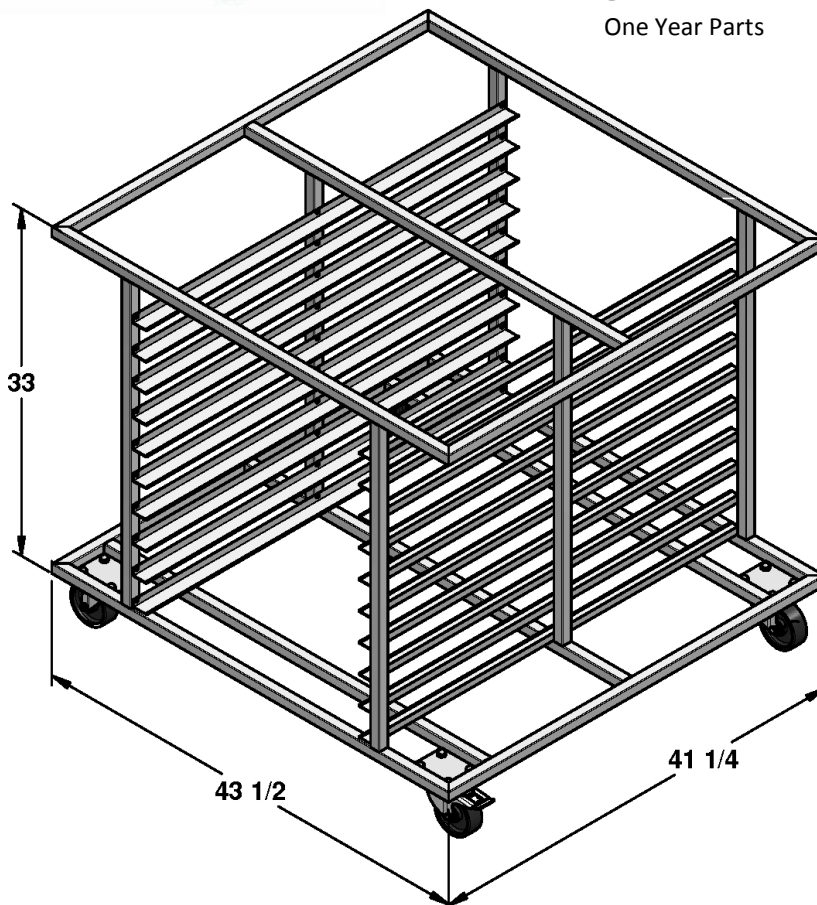
FINISH

Stainless Steel

STANDARD PRODUCT WARRANTY

One Year Parts

DRAWINGS



SHORT SPECIFICATION

Equipment Stand, Heavy Duty, Designed for CA6 & CA6G, Includes (10) Shelve Slides Holding (2) 18 x 26 Pans Per Slide, Casters for Mobility, One year parts only warranty